

FX88 / FX88HP

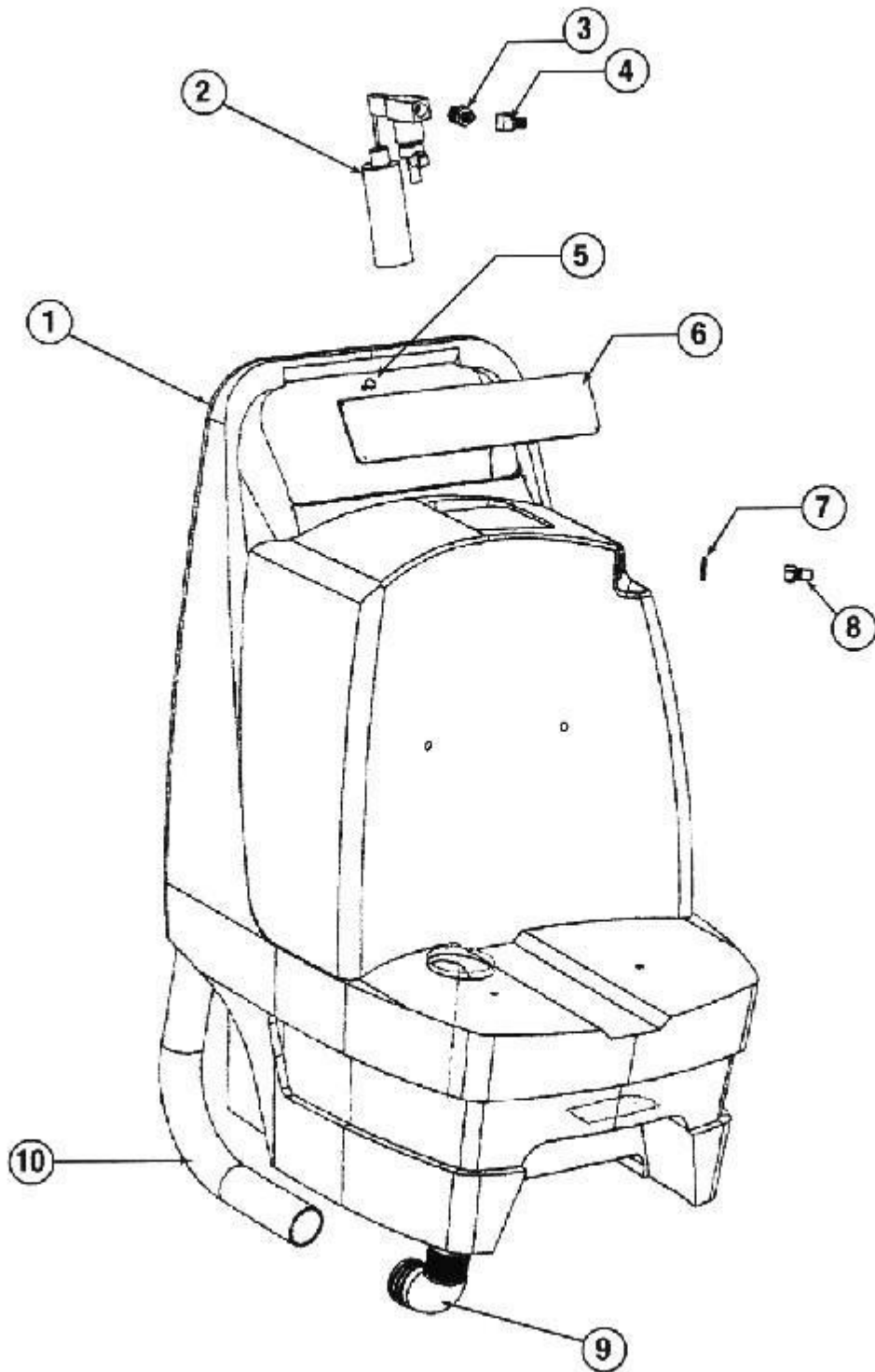
PARTS LIST

ITEM #	PART #	QTY HP / FX88	DESCRIPTION	NOTES
1	740215	1	SOLUTION TANK	
2	740100	1	CHEMICAL FEED COMPLETE	SEE FIGURE 3
3	700236	1	HEX NIPPLE 1/2"X1/4"	
4	700313	1	ELBOW STREET 1/4" 45°	
5	780617	4	SCREW-MACH PHIL- 4X1/2" SS	
6	740235	1	SIGN PLATE	
7	780214	1	WASHER- 9/16"X1 1/8" SS	
8	700111	1	MALE QD 1/4"	
9	740181	1	PVC ELBOW BARB 2"X2" MPT	
10	740041	1	VAC HOSE/TANK TO VAC 24.5"	
11	705110	2	DRAIN VALVE 45° EXT-2"	
12	705102	1	DRAIN VALVE 2" X 1 1/2" MPT	
13	740033	1	PVC BARB 2" X 2" MPT	
14	740027	1	CAM LOCK MALE 1-1/4" MPT	
15	740256	2	RUBBER WASHER 5/16"X1-3/8"	
16	780213	2	WASHER-3/8"X1-1/2"	
17	780017	2	BOLT-1/4-20SAE X 1" SS	
18 & 28	740232	1	PUMPOUT ASSEMBLY W/SWITCH(115V)	
18 & 28	740260	1	PUMPOUT ASSEMBLY W/SWITCH(230V)	
19	705008	2	VAC CUFF 1-1/4" X 1-1/4"	
20	705107	1	DRAIN VALVE NUT 1-1/4"	
21	740028	1	CHECK VALVE 1-1/4"	
22	740029	2	PVC BARB 1-1/4" X 1-1/4" MPT	
23	740092	1	VAC HOSE/ AUTO PUMPOUT-9"	
24	740257	1	8" DECK LID W/ GASKET	
-	740173		GASKET ONLY	
-	740174		8" DECK LID ONLY	
25	740218	1	FLOAT SHUTOFF ELBOW	
26	740200	1	FLOAT BALL SHUTOFF	
27	702905	3	HOSE CLAMP 2 1/4"	
28 & 18	740232	1	PUMPOUT ASSEMBLY W/SWITCH(115V)	
28 & 18	740260	1	PUMPOUT ASSEMBLY W/SWITCH(230V)	
29	705105	1	DRAIN VALVE NUT 2"	
30	740253	1	PVC 2" ELBOW WASTE BAG RET.	
31	740036	1	WASTE FILTER BAG	
32	740214	1	WASTE TANK	
33	740258	1	VAC HOSE/VAC II TO MUFFLER 7.5"	FX88HP
34	780401	32/35	NUT-NYLOC 1/4"X20SAE	
35	780201	68/80	WASHER-1/4"	
36	740231	1	VACUUM MANIFOLD 2-2 STAGE	FX88HP
37	740226	6/9	VAC SPACER	
38	740209	2/3	VAC GASKET	
39	740043	2/3	2" VAC MOTOR INTAKE FLANGE	
40	780016	6/9	BOLT-1/4"-20SAE X 3 1/2"	
41	724001	1	VAC MOTOR 2-STAGE/093/120V	
42	740219	1/2	AXIAL FAN 115V	
42	740236	1/2	AXIAL FAN 230V	
43	740203	1	BACK PLATE W/CORD WRAPS	
44	780001	18	BOLT-1/4"-20SAE X 3/4"	
45	780613	12	SCREW-PHIL TRUSS 1/4"-20X 5/8"	
46	724000	1/2	VAC MOTOR 2-STAGE/096/115V	
41 & 46	724003	2/3	VAC MOTOR 2-STAGE/196/230V	ALL MODELS

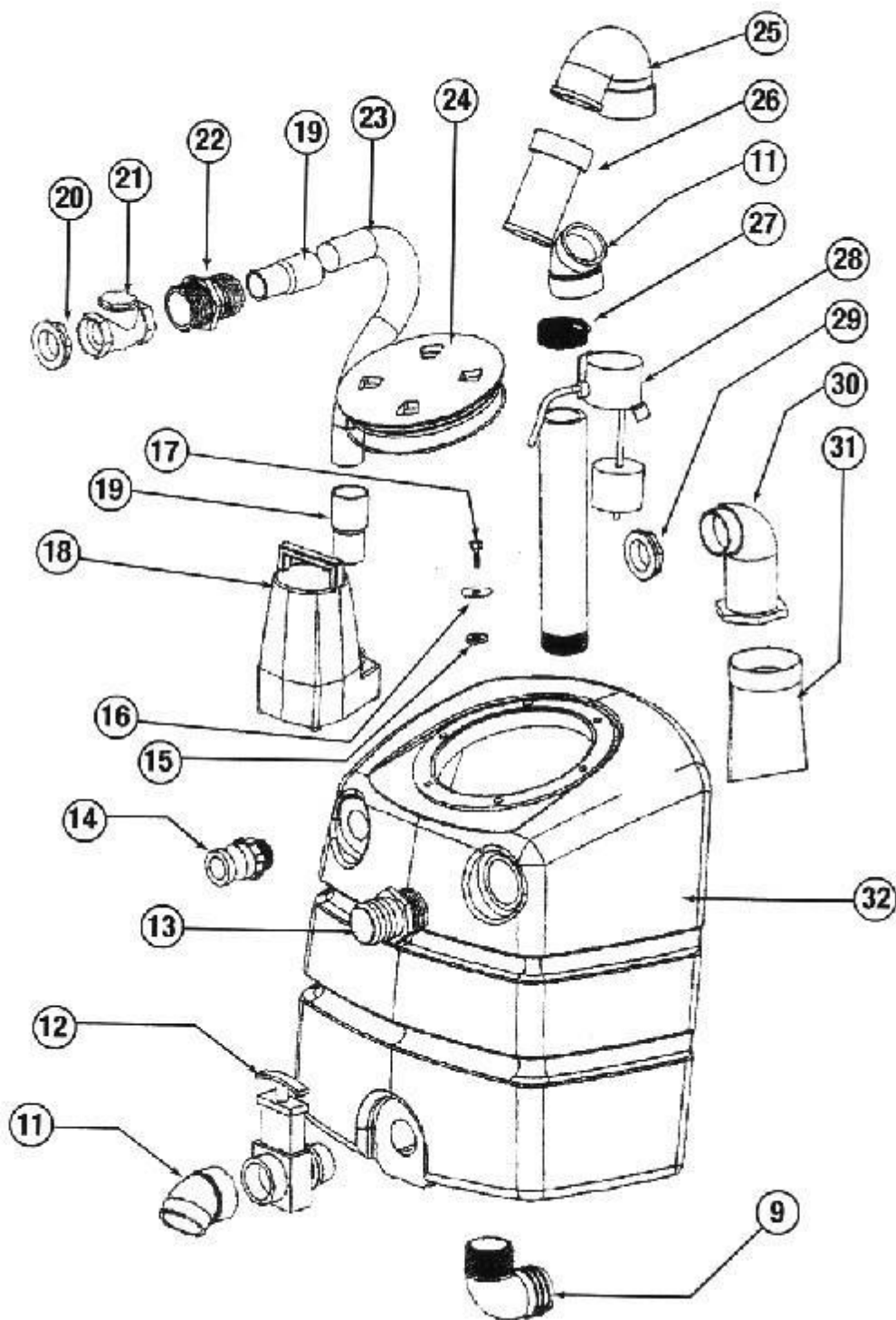
FX88 / FX88HP

ITEM #	PART #	QTY HP / FX88	DESCRIPTION	NOTES
47	780615	4/8	SCREW-PHIL/PAN 6-32X1/2"	
48	780413	4/8	NUT-NYLOC 6-32 18.8	
49	740208	1	VACUUM MANIFOLD 3-2 STAGE	FX88
*	740233	1	CHEMICAL HOLDER/FUNNEL	
50	740206	1	SWITCH PLATE (specify model)	
51	740193	1	HOUR METER	
52	740211	1	SWITCH DPST RED LIGHTED	
53	740210	3/4	SWITCH DPST GREEN LIGHTED	
54	780614	3	SCREW-PHIL-TRUSS-10-24X3/8"	
55	780411	2	NUT-NYLOC-5/8"X11SAE	
56	780218	4	WASHER-5/8"X1-1/8"	
57	740212	2	WHEEL 12" FOAM	
58	740213	2	CASTER 4" X 1.25"	
59	700270	2	COUPLER 1/4" X 1/4" FPT	
60	719000	1	PRESSURE GAUGE "U" CLAMP	
61	719003	1	PRESSURE GAUGE-1200 PSI	FX88HP
61	719002	1	PRESSURE GAUGE-1000 PSI	FX88
62	780617	4	SCREW-PHIL/PAN 10-32X1/2"	
63	780221	4	WASHER-#10SS	
64	780410	4	NUT-10-32	
65	700101	1	QD 1/4" FEMALE	
66	780214	1	WASHER-9/16"X1-1/16"SS	
67	715011	1	UNLOADER - 1200 PSI	FX88HP
67	715022	1	REGULATOR-600PSI	FX88
-	715023		PRESSURE REG. KIT/PISTON/UCUP/	
68	715025	1	PRESSURE REG. BACK PLATE	
69	700307	8	ELBOW STREET 3/8"	
70	715024	1	PRESSURE REG. FRONT PLATE	
71	721122	1	PULSEHOSE- 3/8" MPT X 3/8" FPT	
72	721023	1	PULSEHOSE- 3/8" FPT X 1/4" MPT	
73	721221	1	PULSEHOSE- 3/8" MPT X 1/4" FPT	
74	740259	2	HOSE 1/2" CLEAR 9' SOLUTION/PUMP	
75	702902	2	HOSE CLAMP 1/2"	
76,77,78,79	740221	1	FRESH WATER FILTER 1/2" BARBS	
80	721401	1	1200 PSI PUMP	FX88HP
80	720010		500 PSI PUMP	FX88
81	721402		MOTOR/115VDC/FOR 1200 PSI PUMP	FX88HP
81	726001		MOTOR/115V/.5HP/FOR 500 PSI PUMP	FX88
82	740142	4	MOTOR MOUNT	
83	740055	1	HOSE BYPASS TO SOLUTION TANK	
84	700293	1	HEX PLUG 1/4"	
85	740202	1	BOTTOM PLATE/AXEL/HINGE	
86	700303	1	ELBOW STREET 1/4"	
87	700350	1	FLARE 1/2" X 1/2" MPT 90° ELBOW	
88	700329	2	TEE MALE BRANCH - 3/8"	
89	700284	1	BUSHING 3/8" x 1/4"	
90	721113	1	POWER PRIME VALVE	
91	740195	1	PRIME VALVE HOSE	

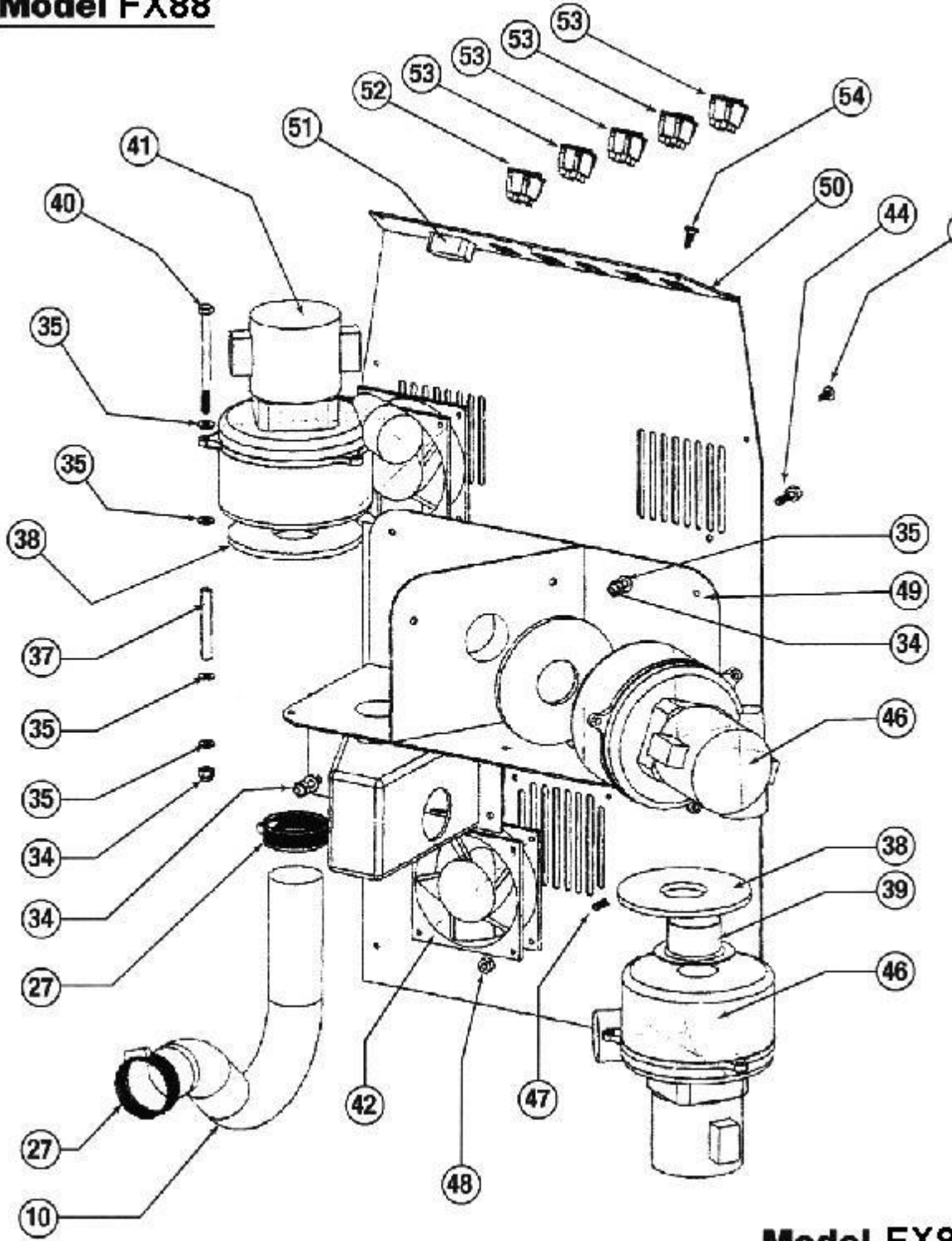
*NOT SHOWN ON SCHEMATIC



FX88 / FX88HP

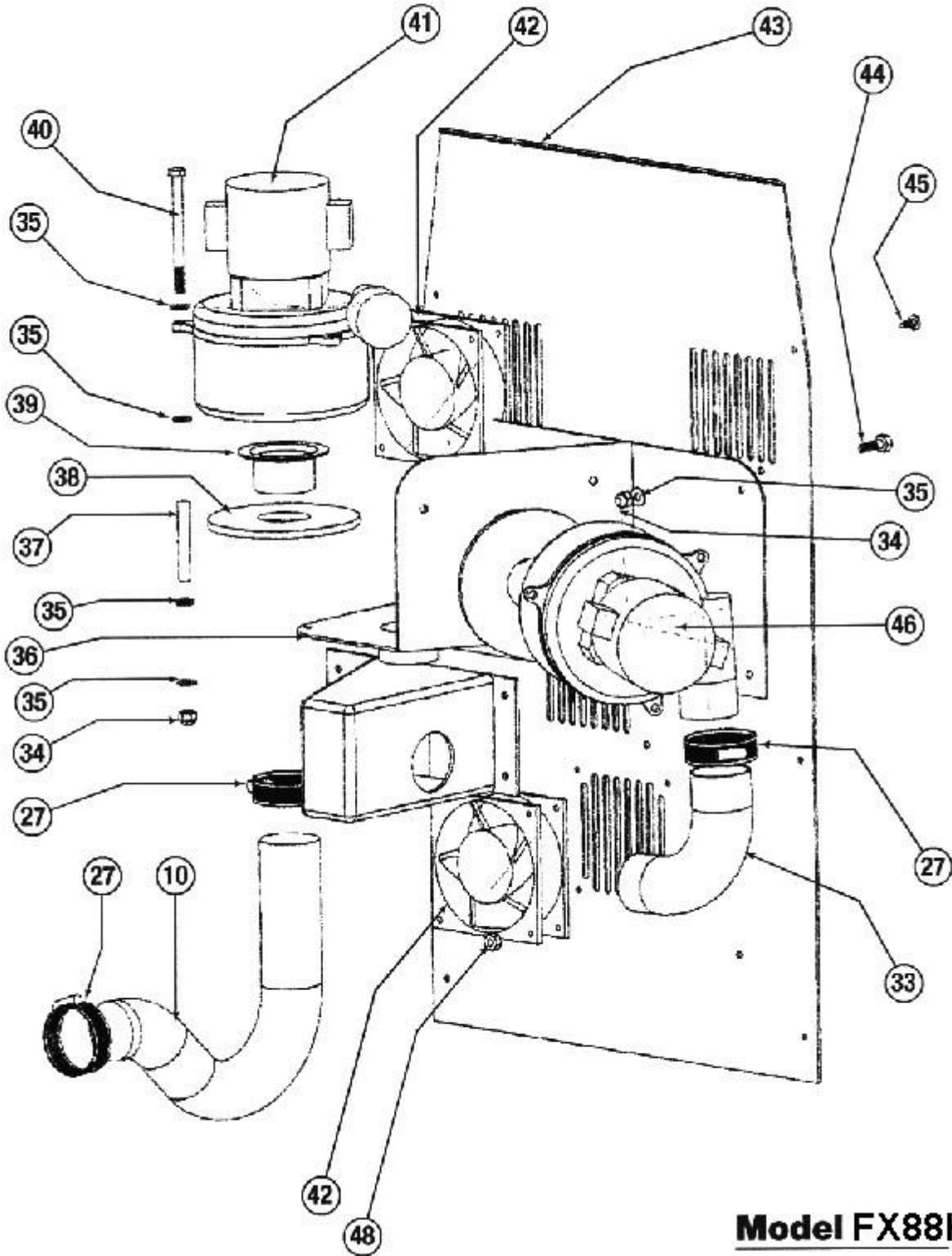


Model FX88

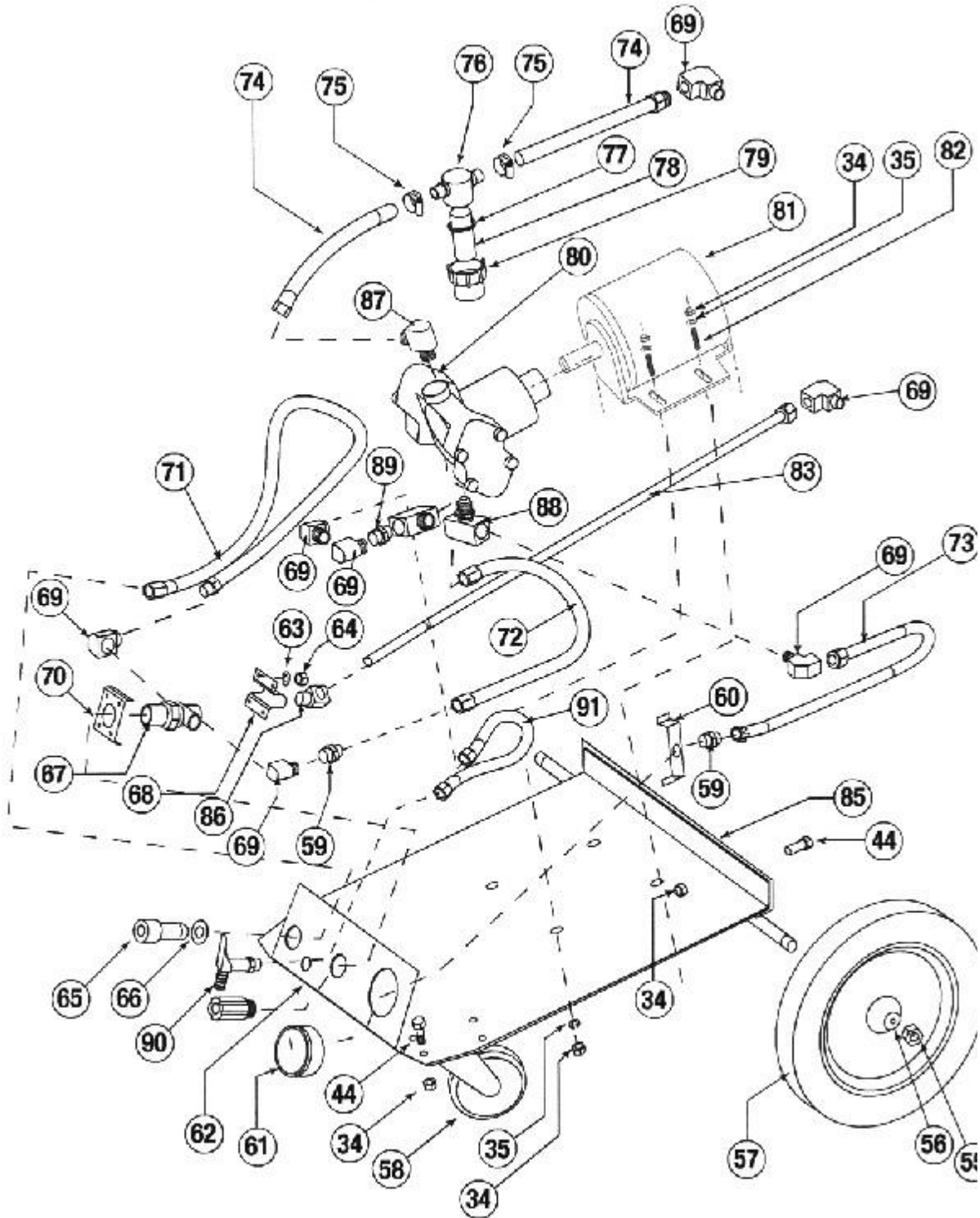


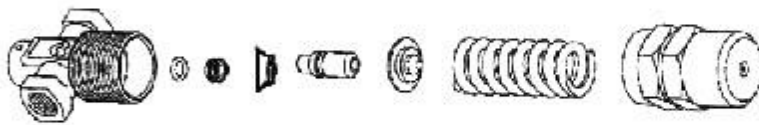
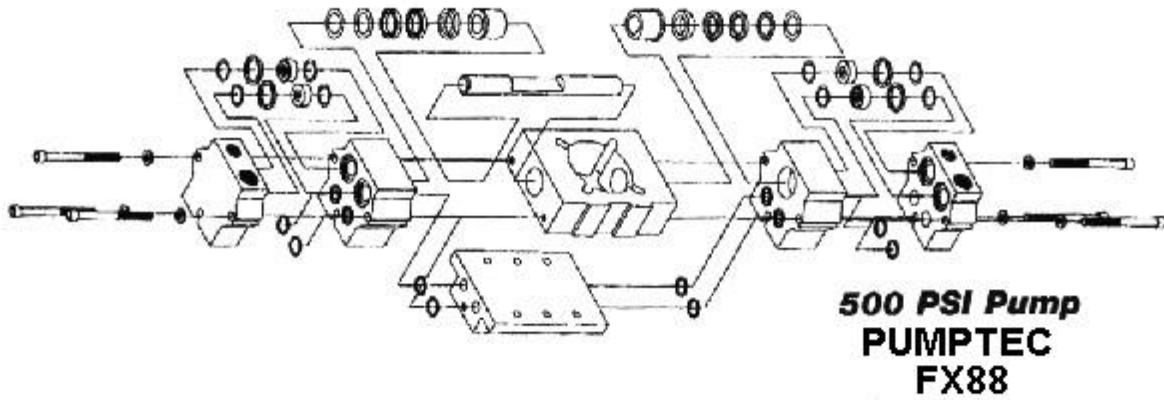
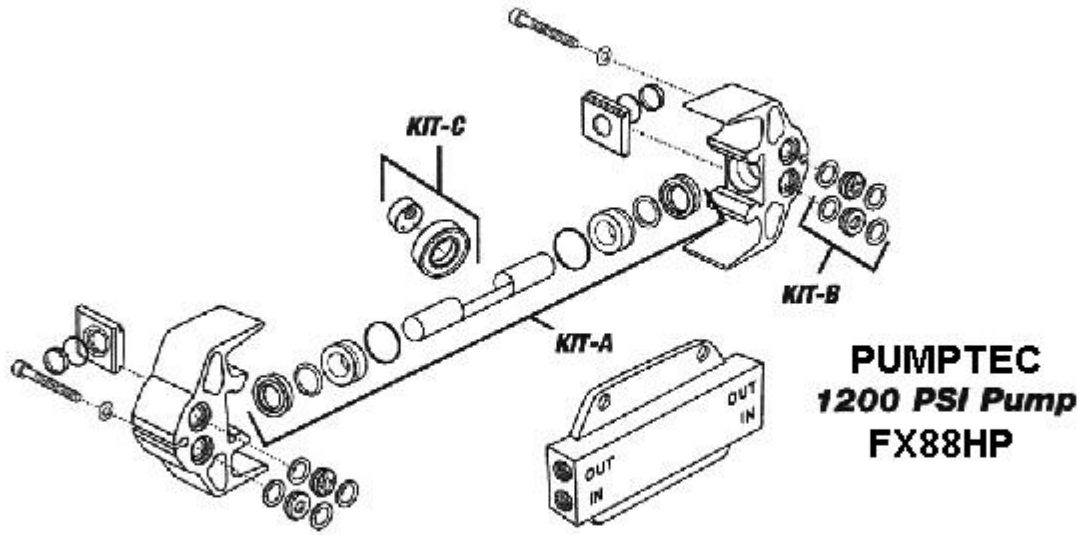
Model FX8

FX88 / FX88HP



Model FX88H

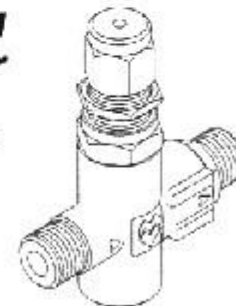




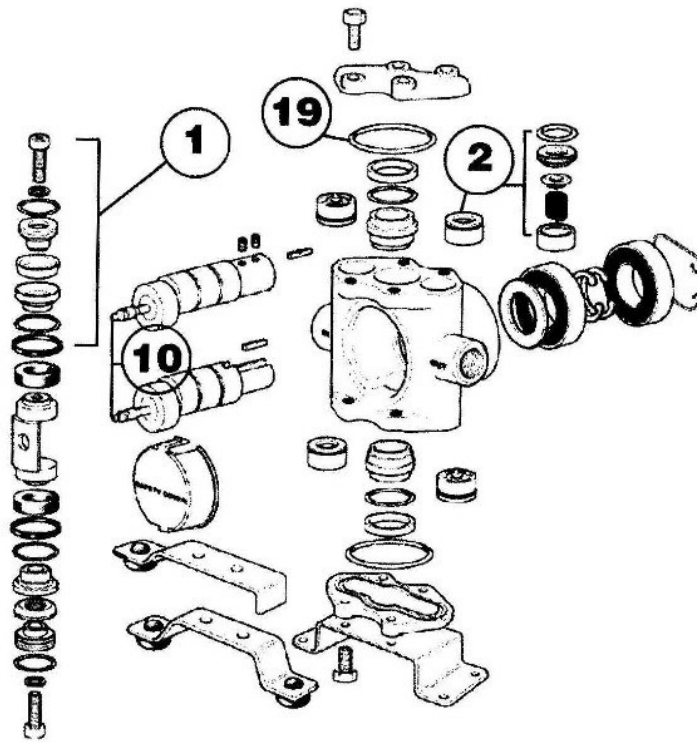
**Part #67 - 500 PSI
Pressure Regulator
FX88**



**1200 PSI
Unloader
Valve
FX88HP**



MODELS 5315 - CHRX AND 5322C-H



Ref #	Part #	Description
	720010	Hypro 5315 CHRX Pump 500 PSI
	721401	Hypro 5322 C-H Pump 1200 PSI
1	720011	Hypro 5215 Repair Kit- 500 PSI
1	721403	Hypro 5322 Repair Kit - 1200 PSI
2	720012	Hypro Valve Set of 4 - 500 & 1200 PSI
19	720013	Hypro O-Ring for Cylinder Head
10	720014	Hypro Grease Fitting

